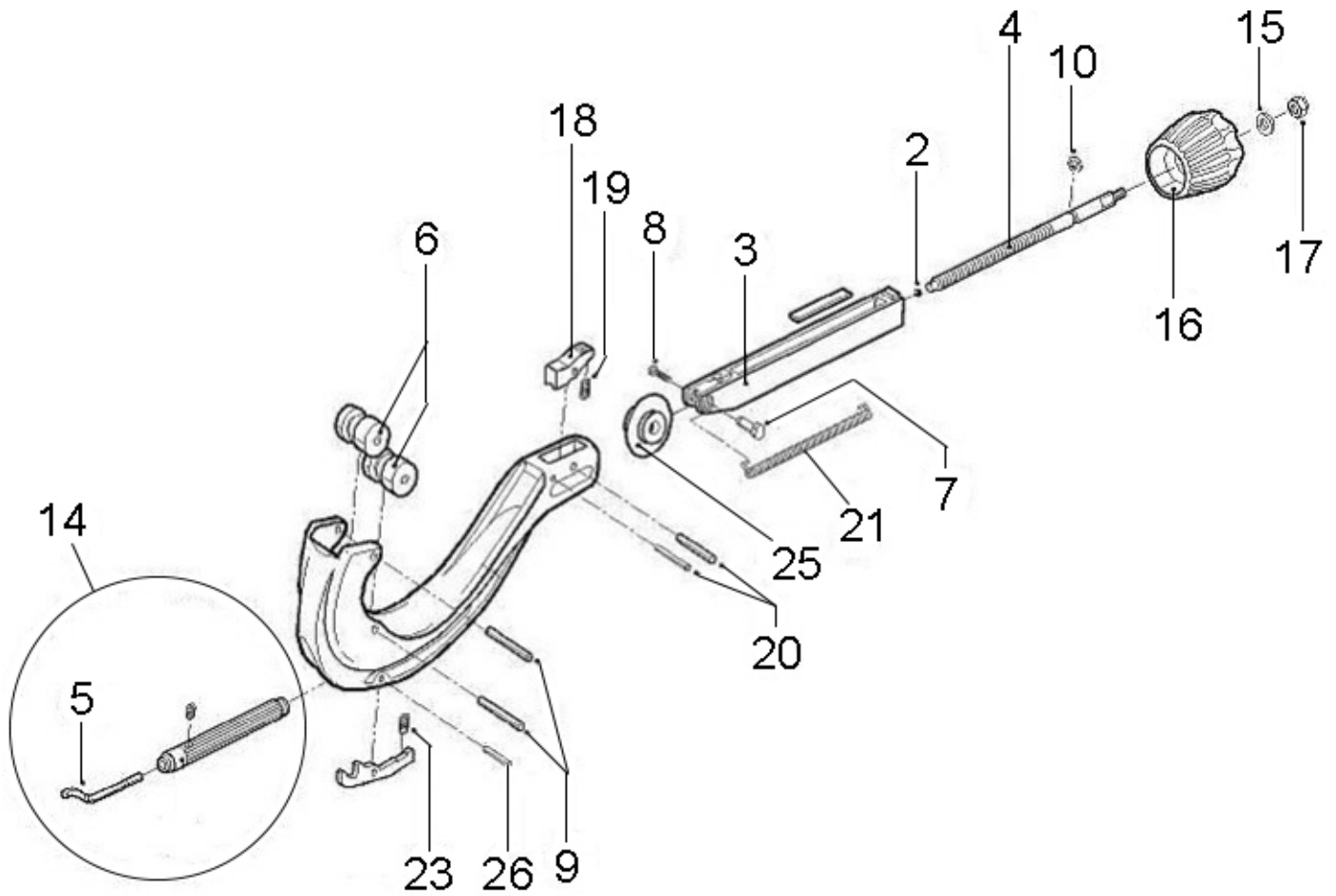


TUBE CUTTER 125 and 168 PL
No. 70032 / 70033

dated: 10/17



TUBE CUTTER 125 and 168 PL
No. 70032 / 70033

dated: 10/17

Item no.	Description	Article no.	Old article no.	Quantity
2	Ball 5 mm DIN 5401	F88626	F88626	1
3	Sleigh for pipe cutter autom. size 2/3	751000300	7510003	1
4	Spindle for pipe cutter size 2/3	751000400	7510004	1
5	HSS-Spare blade No. 1	21652	21652	1
6	Implementation roller for pipe cutter 2/3	751000600	7510006	2
7	Cutting wheel axle two piece	751004200	70149	1
8	Cutting wheel axle two piece	751004200	70149	1
9	Clamp pin for implementation roller	751000900	7510009	2
10	Safety washer 5 DIN 6799	751001000	7510010	1
14	Pipe inside reamer cpl. 2/3	751004100	7510041	1
15	Washer A 6,4 DIN 125	H98353	H98353	1
16	Installation handle for pipe cutter 2/3	751001600	7510016	1
17	Safety nut M6 DIN 985	H88501	H88501	1
18	Locking segment for pipe cutter	751001800	7510018	1
19	Pressure spring for pipe cutter Size 2/3	751001900	7510019	1
20	Spiral clamp pin 4x36 DIN 985	751002000	7510020	2
21	Tension spring for pipe cutter	737000900	7370009	1
23	Pressure spring for pipe cutter Size 2/3	751002300	7510023	1
25	Cutting wheel set (3 pcs.) for TC 125 PL	055054D	055054D	1
25	Cutting wheel set (2 pcs.) for TC 168 PL	055074D	055074D	1
26	PIN N4x22 DIN 7343	751002400		1

IMPORTANT! To assure safety and reliability, repairs, maintenance and adjustment must be performed by ROTHENBERGER Kelkheim or authorized Service-Centers. Always use Original-Service-Parts. Order your accessories and spare parts from your specialist retailer or using our Service After Sales hotline

Tel. +49 6195 - 800 **8200**

Fax: +49 6195 - 800 **7491**

✉ service@rothenberger.com