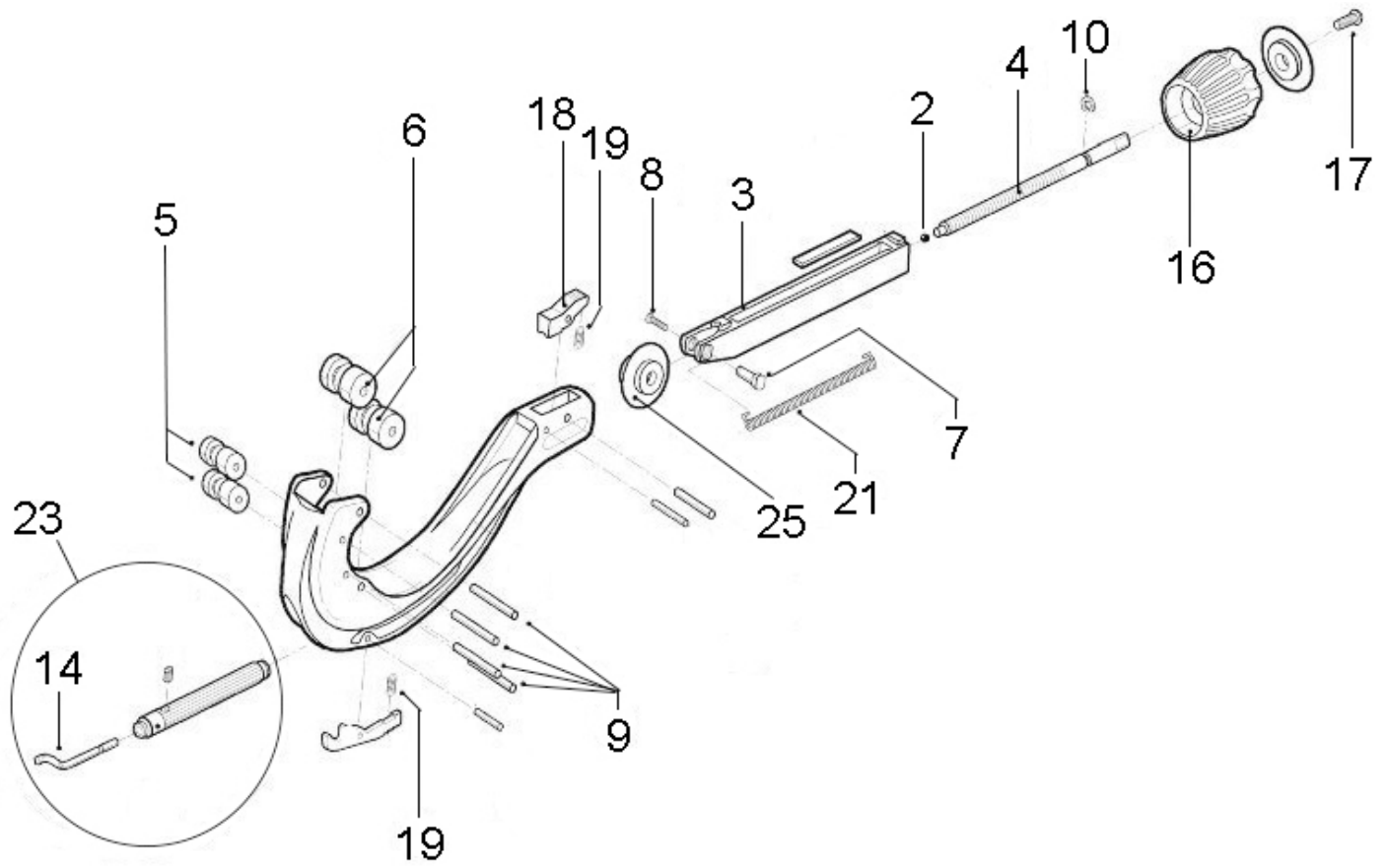


**TUBE CUTTER 67 PL**  
No. 70031

dated: 06/17



# TUBE CUTTER 67 PL

dated: 06/17

No. 70031

Item no.	Description	Article no.	Old article no.	Quantity
2	Ball 5 mm DIN 5401	F88626	F88626	1
3	Sleigh for pipe cutter autom. size 1	1200001686	750000300	1
4	Spindle for pipe cutter size 1	750000400	7500004	1
5	Implementation roller for pipe cutter small	750000500	7500005	2
6	Implementation roller for pipe cutter big	750000600	7500006	2
7	Cutting wheel axle two piece	70042	70042	1
8	Cutting wheel axle two piece	70042	70042	1
9	Clamp pin for implementation roller	750000900	7500009	4
10	Safety washer 6 DIN 6799	FF56766	763002000	1
14	HSS-Spare blade No. 1	21652	21652	1
16	Installation handle for pipe cutter	735002200	735001600	1
17	Pan head screw M4x12	735001700	7350017	1
18	Locking segment for pipe cutter	750001800	7500018	1
19	Spring for lock ratchet	763000800	7630008	1
21	Spring for pipe cutter Size 1.	70039	70039	1
23	Pipe inside reamer cpl	750004100	7500041	1
25	Cutting wheel set (3 pcs.) for TC 67 PL	070028D	070028D	1
25	Cutting wheel set (5 pcs.) for TC autom. Size 1	070017D	070017D	1

**IMPORTANT!** To assure safety and reliability, repairs, maintenance and adjustment must be performed by ROTHENBERGER Kelkheim or authorized Service-Centers. Always use Original-Service-Parts. Order your accessories and spare parts from your specialist retailer or using our Service After Sales hotline

**Tel.** +49 6195 - 800 **8200**

**Fax:** +49 6195 - 800 **7491**

✉ [service@rothenberger.com](mailto:service@rothenberger.com)