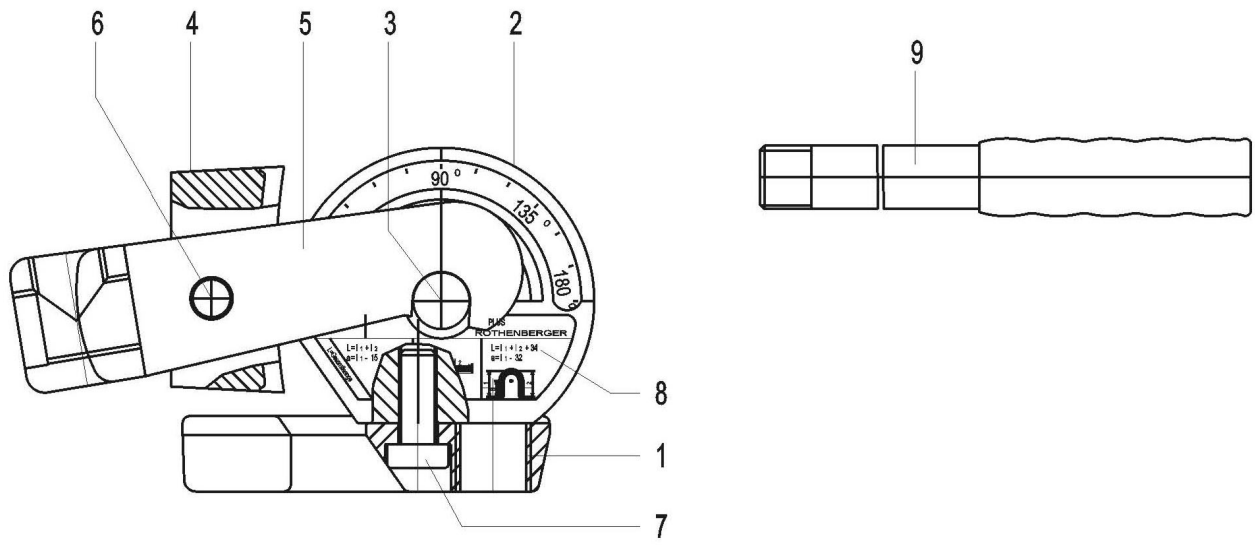


ROBEND 18 mm 24518
No. 24518

dated: 04/15



ROBEND 18 mm 24518
No. 24518

dated: 04/15

Item no.	Description	Article no.	Quantity
1	Base plate 18 H+W PLUS	F82518	1
2	Bending formers 18 H+W PLUS and axle	F82536	1
3	HW Center axis 67x14 mm size 4	F82127	1
4	ROLUB Guide shoe H+W 18 mm	25318	1
5	Bracket for 18 mm = 5/8" and 10 H+W	F82833	1
6	Bolt size 4	F88063	1
7	Cylinder head screw M12x30	F88426	1
8	Label for bending formers 18 H+W	F92335	1
9	Handle H+W size 5 with handgrip	25078	1

IMPORTANT! To assure safety and reliability, repairs, maintenance and adjustment must be preformed by ROTHENBERGER Kelkheim or authorized Service-Centers. Always use Original-Service-Parts. Order your accessories and spare parts from your specialist retailer or using our Service After Sales hotline