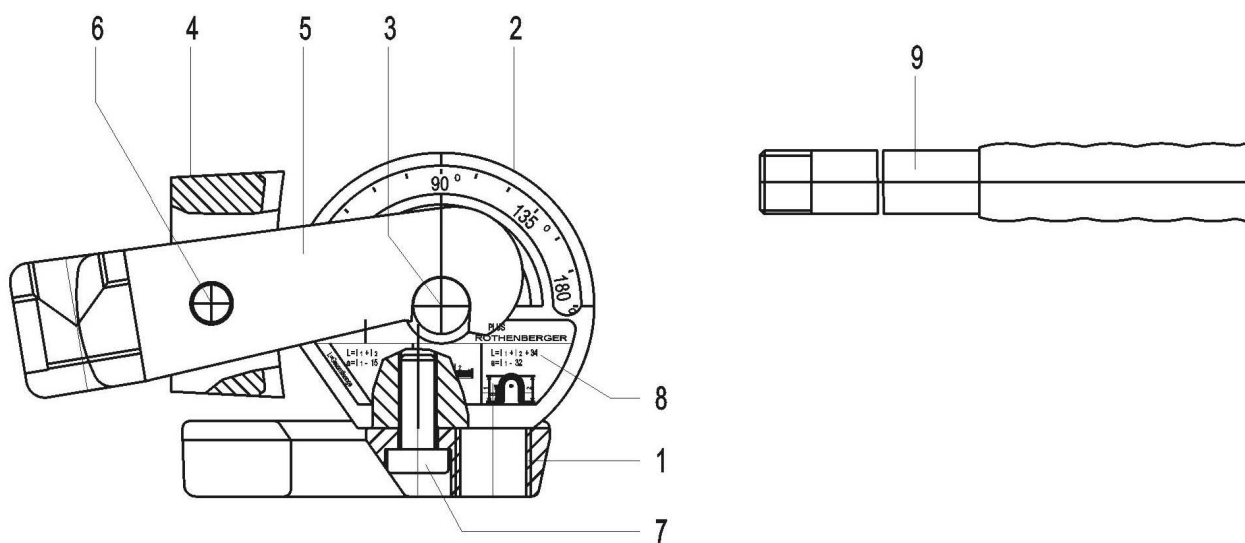


ROBEND 16 mm 24516
No. 24516

dated: 04/15



ROBEND 16 mm 24516

dated: 04/15

No. 24516

Item no.	Description	Article no.	Quantity
1	Base plate 16 mm = 5/8"	F82516	1
2	Bending formers 16 mm = 5/8" and axle	F82534	1
3	Axis 67x14 mm size 4	F82127	1
4	ROLUB Guide shoe 16 mm = 5/8"	25316	1
5	Bracket for 16 and 18 mm	F82833	1
6	Bolt size 4 (16 + 18 mm)	F88063	1
7	Screw M12x30 mm	F88426	1
8	Label for bending formers 16 mm = 5/8"	F92333	1
9	Handle Size 5 with handgrip	25078	1

IMPORTANT! To assure safety and reliability, repairs, maintenance and adjustment must be performed by ROTHENBERGER Kelkheim or authorized Service-Centers. Always use Original-Service-Parts. Order your accessories and spare parts from your specialist retailer or using our Service After Sales hotline