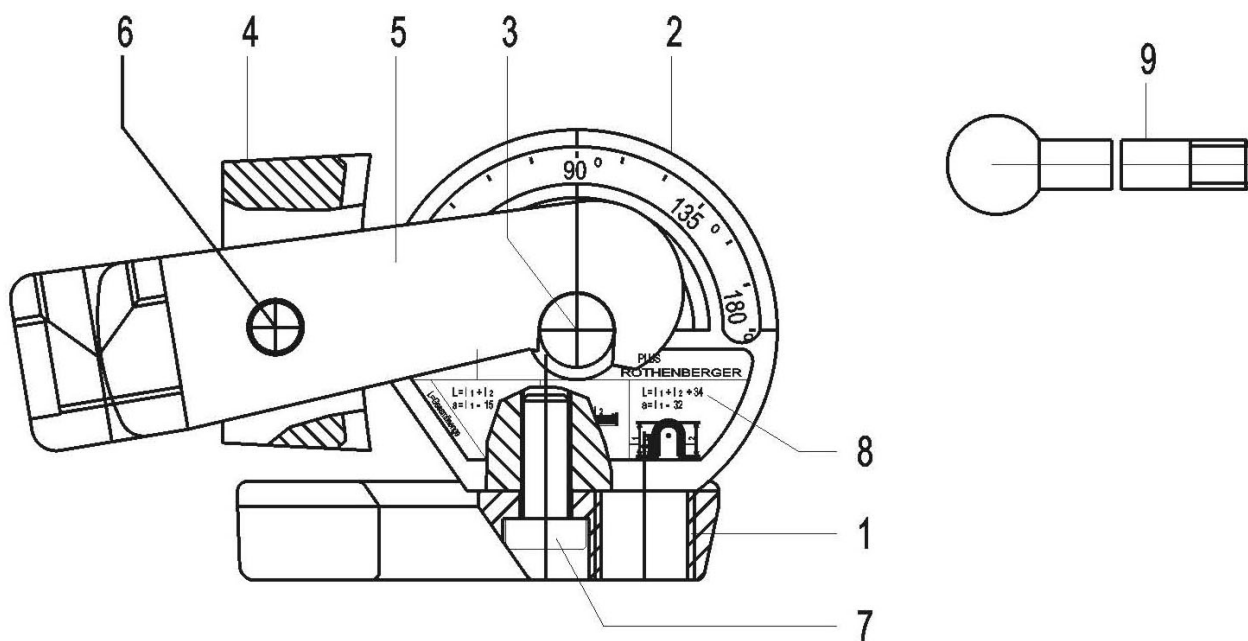


ROBEND 12 mm 24512
No. 24512

dated: 04/15



ROBEND 12 mm 24512
No. 24512

dated: 04/15

Item no.	Description	Article no.	Quantity
1	Base plate 12 mm	F82512	1
2	Bending formers 12 mm and axle	F82531	1
3	Axis 12x47 mm	F82125	1
4	ROLUB Guide shoe 12 mm	25312	1
5	Bracket for 12 mm = 1/2"	F82831	1
6	Bolt 8x44,5	F88061	1
7	Cylindrical screw DIN 912 - M8x25	F88386	1
8	Label for bending formers 12 mm	F92329	1
9	Handle f. 10 - 15 mm	25076	1

IMPORTANT! To assure safety and reliability, repairs, maintenance and adjustment must be preformed by ROTHENBERGER Kelkheim or authorized Service-Centers. Always use Original-Service-Parts. Order your accessories and spare parts from your specialist retailer or using our Service After Sales hotline