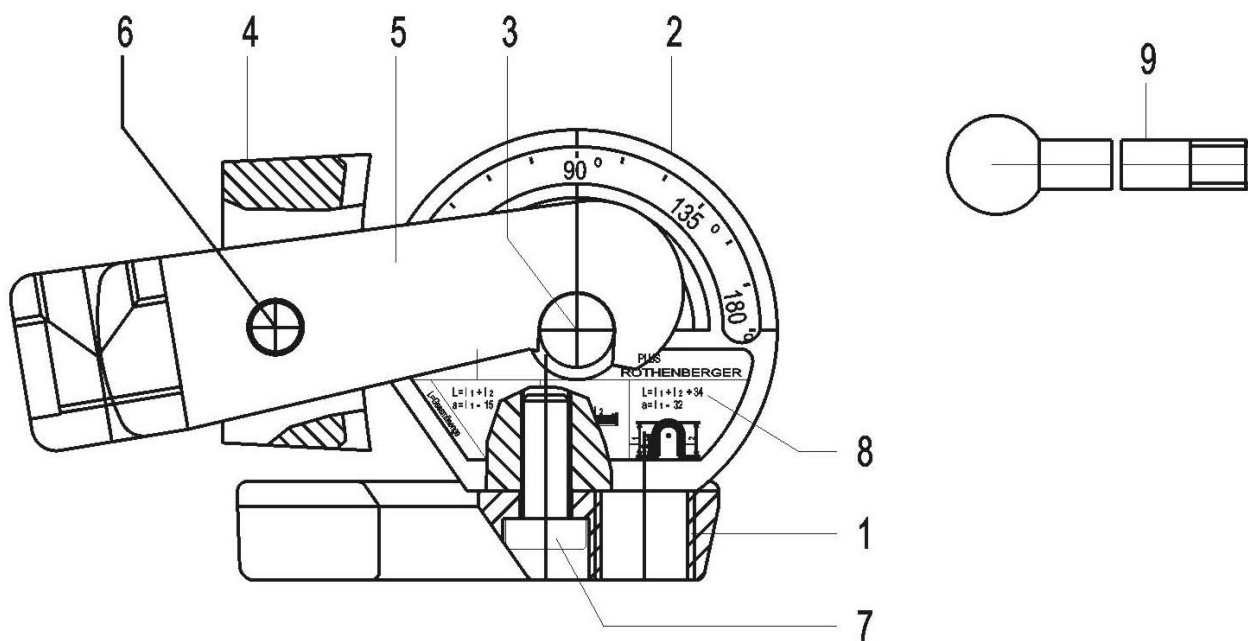


ROBEND 10 mm 24510
No. 24510

dated: 04/15



ROBEND 10 mm 24510
No. 24510

dated: 04/15

Item no.	Description	Article no.	Quantity
1	Base plate 10 mm	F82521	1
2	Bending formers 10 mm and axle	F82530	1
3	Axis 43x12 mm	F82124	1
4	ROLUB Guide shoe 10 mm = 3/8"	25310	1
5	Bracket for 10 mm = 3/8"	F82830	1
6	Bolt 8x40,5	F88060	1
7	Screw M8x20 mm DIN 912	F88385	1
8	Label for bending formers 10 mm	F92328	1
9	Handle f. 10 - 15 mm	25076	1

IMPORTANT! To assure safety and reliability, repairs, maintenance and adjustment must be preformed by ROTHENBERGER Kelkheim or authorized Service-Centers. Always use Original-Service-Parts. Order your accessories and spare parts from your specialist retailer or using our Service After Sales hotline