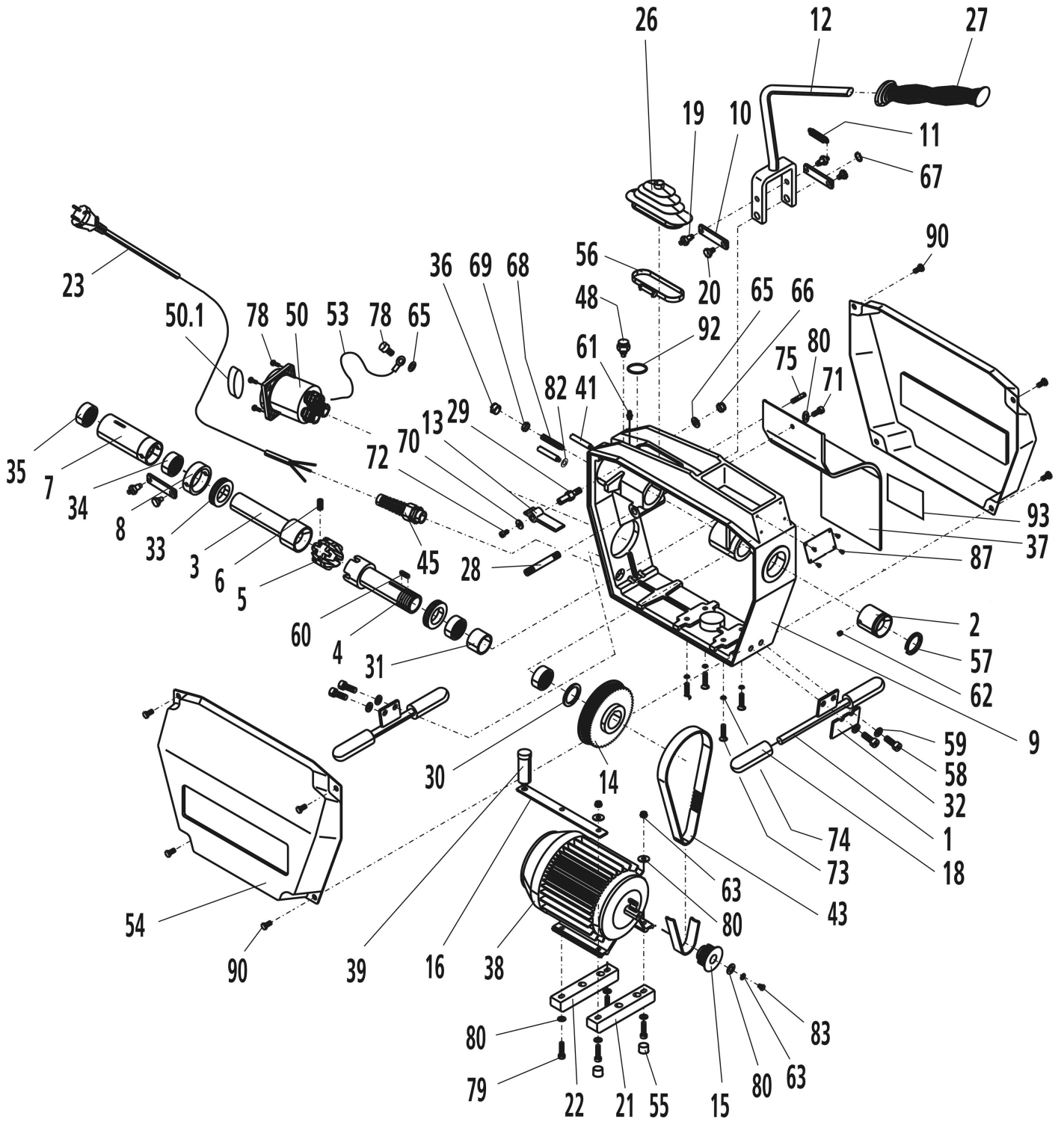


R550

No. 72686, 72655, 72863

dated: 01/18



Item no.	Description	Article no.	Quantity
---	Label lubrication instruction	H99079	1
1	Base, in front	H90103	2
2	Cap, in front	H98903	1
3	Cone sleeve	H99780	1
4	Cone shaft for flange bearing until 01/05	H99781	1
4	Cone shaft for needle bearing since 02/05	H81808	1
5	Clamping jaw set compl. R550	72538	1
6	Spring (spare parts for pos. 5)	H98119	3
7	Bushing compl.	H98909	1
8	Thrust collar	H98912	1
9	Housing with needle bearing since 02/05	H81806	1
10	Joint plate	H90101	2
11	Tension spring	H98109	1
12	Hand lever with holder profile	H90107	1
13	Hand lever locking	H90100	1
14	Drive pulley 24Z	H98125	1
15	Drive pulley 10Z	H98920	1
16	Retainer for condenser	H90102	1
18	Rubber pad	H98256	4
19	Joint bolt, rear	H98285	2
20	Joint bolt, in front	H98287	2
21	Insulation flat, in front	H98356	1
22	Insulation flat, rear	H98307	1
23	Power cord EUR with PRCD (230V)	F88086	1
23	Line cord „EUROPE“	H98313	1
23	Power cord ASADA	F85079	1
26	Bellow	H98395	1
27	Handle PVC	H98397	1
28	Bolt for hand lever	H98452	1
29	Bolt for lever locking	H98451	1
30	Washer disc since 02/05	H81805	1
31	Spacing tube since 02/05	H81804	1
32	Clutch holder since 02/05	H81803	1
33	Ball bearing	H98196	2
34	Needle bearing, in front	H98910	1
35	Needle bearing, rear	H98911	1
36	Plug	H98358	5
37	Drain gutter	H98928	1
38	Motor with condenser 110V/115V -55Hz	H98919	1
38	Motor with condenser 230 Volt /50 Hz	H98935	1
38	Motor 100 Volt /55 HZ	H98940	1
39	Condenser for 230V	H98936	1
39	Condenser for 110V	H98293	1
41	Dowel pin	H98136	2
43	Toothed drive belt	H98220	1
45	Screwed cable gland PG 13.5	H86356	1
48	Catch	H90111	1
50	Switch, complete	H98327	1
50.1	Knob for switch with screw	1500000472	1
53	Cable 1,5mm ² 150mm long green/yellow	L82110	1
54	Hood, red right + left	H81807	2
55	Rubber, spring	H98248	2
56	Hose clip	H97456	1
57	O-ring	H98927	1
58	Screw M8x25 DIN 912	H98262	4
59	Spring washer A 8,4 DIN 127	H98263	4
60	Paralell key A 5x5x25	H98200	1
61	Lubrication nipple M6x1	H98963	1
62	Set screw M6x6 DIN 916	H98266	2
63	Washer A 6,4 DIN 9021	H98351	3
65	Lock washer J 4,3 DIN 6797	L82374	1
66	Hexagon nut M8 DIN 985	H88502	1
67	Retaining ring 12x1 DIN 471	H98973	2
68	Set screw M 8x50 DIN 417	H88603	1
69	Hexagon nut M8 DIN 934	H98289	1
70	Washer B 5,3 DIN 9021	F81677	1
71	Screw M 6x12 DIN 912	H88388	1
72	Screw M 5x12 DIN 912	H98669	1
73	Counter sunk screw M 6x30 DIN 7991	H98309	4
74	Lock washer V 6,4 DIN 6798	H98310	4

R550

dated: 01/18

No. 72686, 72655, 72863

Item no.	Description	Article no.	Quantity
75	Grooved dowel pin Ø 6x28 DIN 1469 C	H88582	1
78	Fillister head screw M 4x12 DIN 7985	H98333	5
79	Screw M 6x30 DIN 912	H98352	4
80	Washer A 6,4 DIN 125	H98353	6
81	Hexagon nut M6 DIN 985	H88501	8
82	Spring washer B 6,4 DIN 137	H98960	2
83	Hexagon screw M 5x16 DIN 933	H98606	1
87	Grooved drive stud 3x8 DIN 1476	H98254	4
90	Fillister head screw with flange M6x16	L20021	8

IMPORTANT! To assure safety and reliability, repairs, maintenance and adjustment must be performed by ROTHENBERGER Kelkheim or authorized Service-Centers. Always use Original-Service-Parts. Order your accessories and spare parts from your specialist retailer or using RoService+ online.

Tel. +49 6195 - 800 **8200**

Fax: +49 6195 - 800 **7491**

✉ service@rothenberger.com